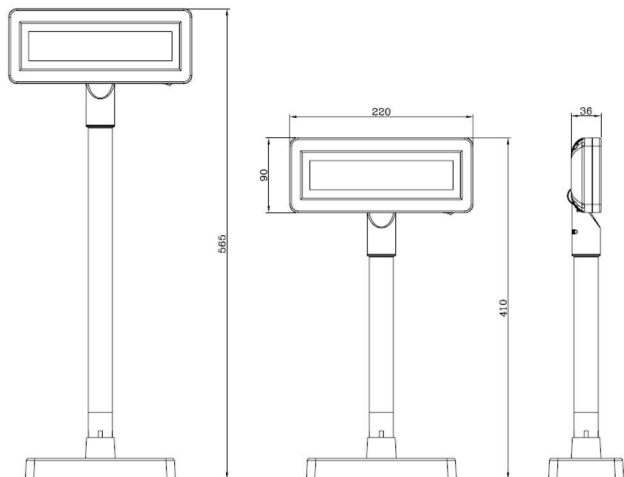


# CD220A - LCD Customer Display



20columns x 2 lines LCD Display



## Introduction

The CD220A is a high contrast 2-line LCD Customer Display and supports all the major command set protocols. It has dual interface: RS232 and USB VCOM, which can run on the legacy and new system without any changes. It supports on the field firmware upgrade and a variety of country font sets.

## Key Features

- Use a high contrast and brightness LCD display
- 2 lines (20x2) characters, each character is of 5 x 7 matrix.
- Support major command sets (ESC/POS, CD5220, DSP8000, BA63...)
- Support dual interface: RS232 and USB VCOM. Auto detected by the corresponding cable.
- Come with extendable long pole and strong base (having a metal weigh)
- Support major international character sets
- Support firmware upgrade
- Baud rates from 300 up to 9600bps

## Specification

Display Module	Customer Display	Liquid Crystal Display
	LCD Mode	STN Negative, Blue
	Display Pattern	5x7 dot matrix + Cursor
	Viewing Area	149.0mm (W) x 23.0mm (H)
	Character Size	6.0mm (W) x 9.66mm (H)
	Back Light Type	LED, White
	Character Number	20 characters x 2 lines
Driver Interface	Driver Interface	RS-232
	Driver Command	ESC, DSP-800, CD5220/II, BA63 command
Electricity	Power Source	+12VDC
	Power consumption	6W
	Central Control Unit	CPU / NUC123 ROM / 36KB flash ROM RAM / 12KB SRAM
	Speed	CPU - 72MHz
	Connector	RJ45, DB9 (female) with power jack
	Overall Dimension	Dimension (panel)
	Dimension (with adjustable pole)	220 x 72 x 410mm